

Guide Rail Systems

EFFLUENT AND SEWAGE

FEATURES

A10-30, 3" X 4" RAIL SYSTEM: Connects to any pump with a 3", 150# ANSI flanged discharge. Outlet is a 4" flanged discharge.

A10-40, 4" X 4" RAIL SYSTEM: Connects to any pump with a 4", 150# ANSI flanged discharge. Outlet is a 4" flanged discharge.

A10-60, 4" X 6" RAIL SYSTEM: Connects to any pump with a 4", 150# ANSI flanged discharge. Outlet is a 6" flanged discharge.

ALL MODELS:

Cast iron construction for standard applications.

Optional brass pump adapter for applications requiring a non-sparking disconnect.

Standard kit contains a base, a pump adapter with all required bolts and fittings, and the upper guide rail positioning bracket.

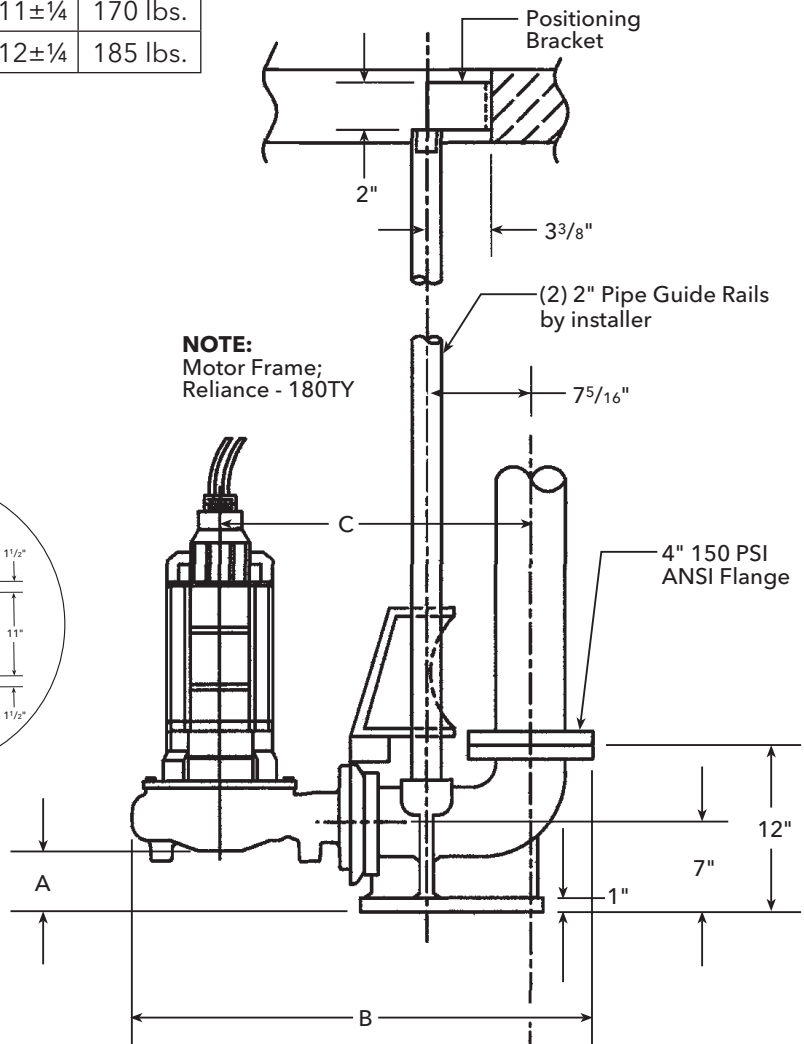
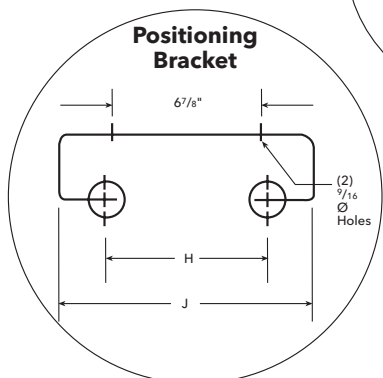
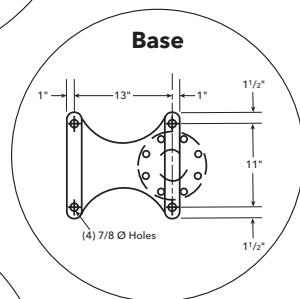
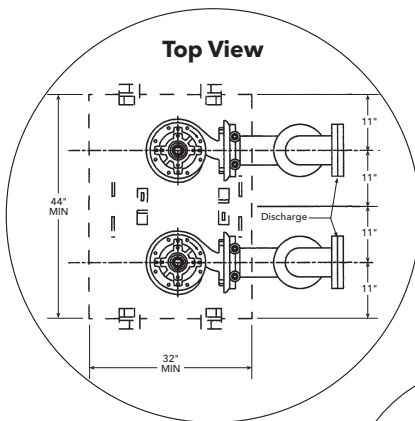
Optional intermediate guide rail brackets are available in either steel or brass for non-sparking applications.

Guide rails are not supplied - they may be sourced locally - 2" stainless steel guide rails recommended.

Spare pump adapter kits are available for those who want a back-up pump/adaptor ready for an emergency quick change.

3" AND 4" DISCHARGE GUIDE RAIL SYSTEM

Pump Discharge	Part Number	A	B Max.	C	H	J	Weight
3"	A10-30	4 ⁹ / ₁₆	33 ³ / ₈	22½	6¾	11±¼	170 lbs.
4"	A10-40	3 ¹³ / ₁₆	34¼	23	7¾	12±¼	185 lbs.



3" AND 4" DISCHARGE GUIDE RAIL SYSTEM

- Heavy duty cast iron construction.
- Twin guide rails provide positive alignment with base.
- No sealing devices required - pump weight provides sufficient force for proper seal.
- Self cleaning design. When pump flange engages base, the shearing action wipes the sealing surfaces clean.

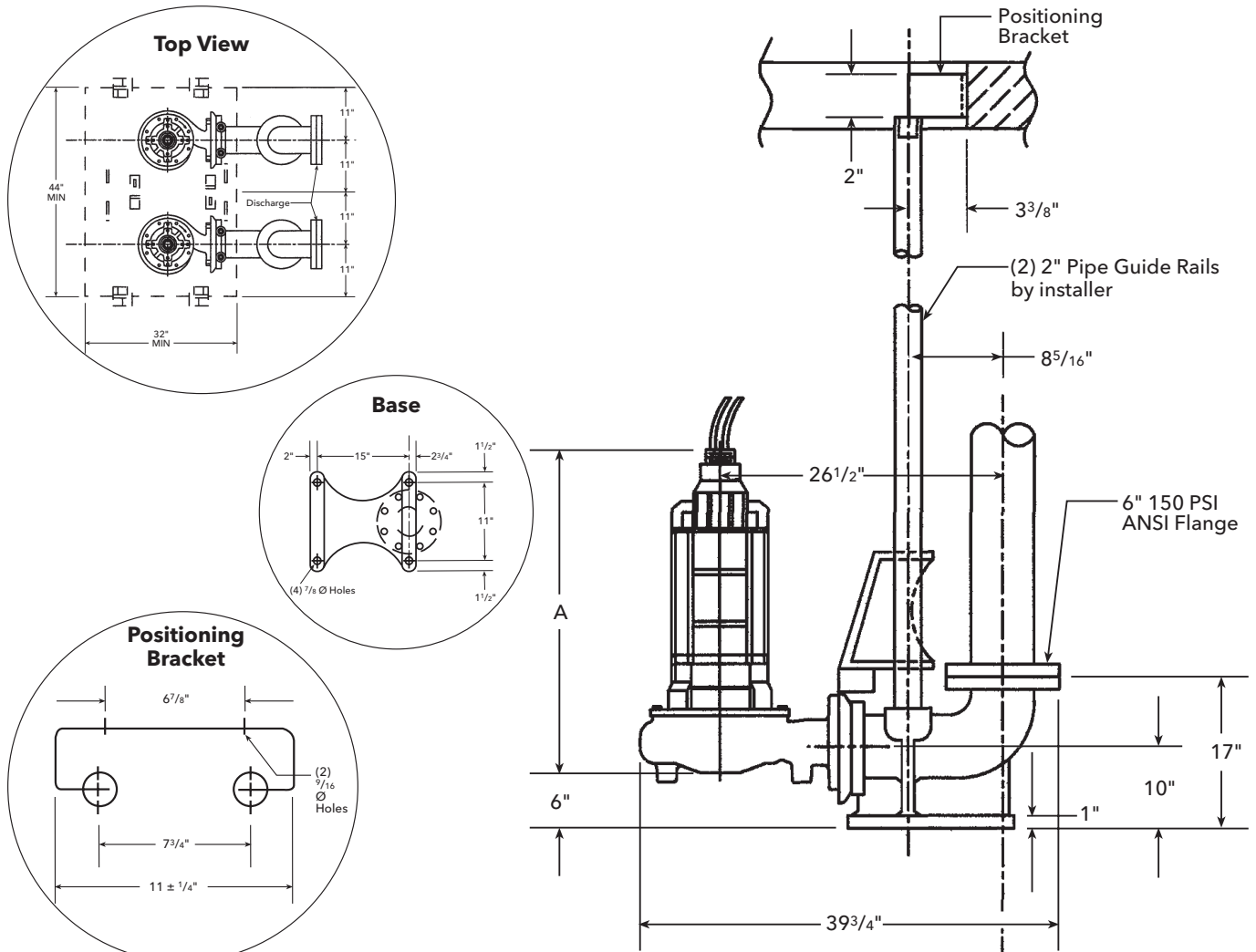
• System Components Include:

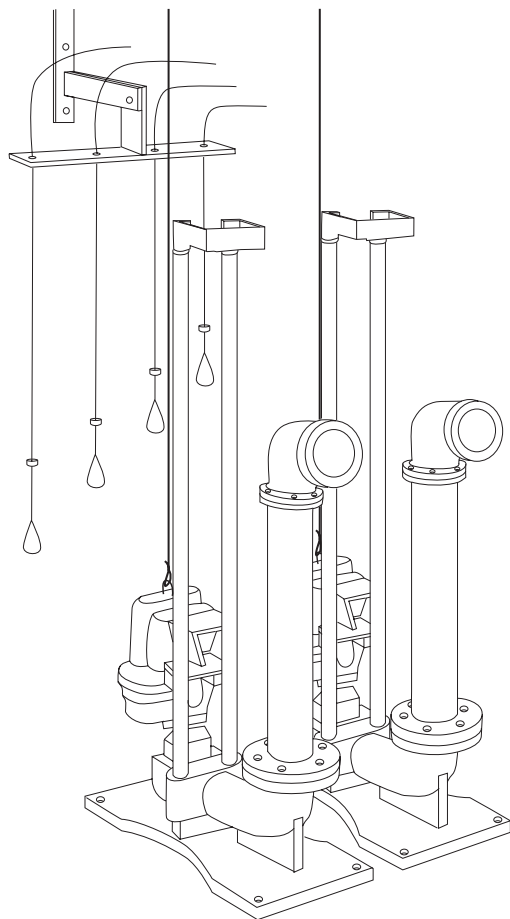
- Base with integral cast elbow.
- Pump adapter - guide assembly with fasteners.
- Upper guide rail positioning bracket. Carbon steel bracket available as an option in stainless steel.

NOTE: Guide rails are not furnished by CentriPro. Lifting chains and bails need to be ordered separately. Intermediate bracket available as seen on page 4 for pits over 11 feet.

4" DISCHARGE GUIDE RAIL SYSTEM

Frame	Pump Discharge	Part Number	A	Weight
210	4"	A10-60	37 ³ / ₄	185 lbs.
250	4"	A10-60	43 ¹ / ₈	185 lbs.





PUMP ADAPTER KITS

1K340 - for A10-30 iron
 1K341 - for A10-40 / A10-60 iron
 1K447 - for A10-30B brass
 1K448 - for A10-40B / A10-60B brass

Part numbers are for repairs, component is included in the A10-30, 40 accessory.

INTERMEDIATE GUIDE RAIL BRACKET

A10-30 (B) standard	4K436
A10-40 (B), 60 (B) standard	4K437
A10-30 304 SS	4K631
A10-40 304 SS	4K632

Used on pits over 11 feet for extra support.
 Must be purchased separately.

MINIMUM BASIN DIAMETER

	Minimum	Recommended
Simplex	36"	42"
Duplex	48"	60"

UPPER GUIDE RAIL BRACKET

A10-30 (B)	4K467
A10-40 (B), 60 (B)	4K468

Pump Discharge Size	Order Number	ANSI Flanged Discharge Size	Material of Positioning Bracket	Used On These Pumps
3"	A10-30	4" 150 lb. ANSI	Carbon Steel	3WDA, 3DWS, 3WS, 3888D3, 3SD 3GV, 3MV, 3MK
3"	A10-30SS		Stainless Steel	
4"	A10-40		Carbon Steel	
4"	A10-40SS	6" 150 lb. ANSI	Stainless Steel	4WDA, 4DWS, 4DWN, 4WS, 3888D4, 4SD, 4NS 4GV, 4MV, 4MK
4"	A10-40SS			
4"	A10-60SS			
3" XP	A10-30B	4" 150 lb. ANSI	Carbon Steel	3XWC, 3SDX, 3GVX, 3MVX, 3MKX
4" XP	A10-40B			4XWC, 4XWN, 4SDX, 4GVX, 4MVX, 4MKX
4" XP	A10-60B			4XWC, 4XWN, 4XD, 4SDX, 4GVX, 4MVX, 4MKX

* For 6MK units, see Conery base elbow CBE6060.



Xylem Inc.
 2881 East Bayard Street Ext., Suite A
 Seneca Falls, NY 13148
 Phone: (866) 325-4210
 Fax: (888) 322-5877
www.xylem.com/centripro

CentriPro is a trademark of Xylem Inc. or one of its subsidiaries.
 © 2018 Xylem Inc. BCPCGR14 November 2018